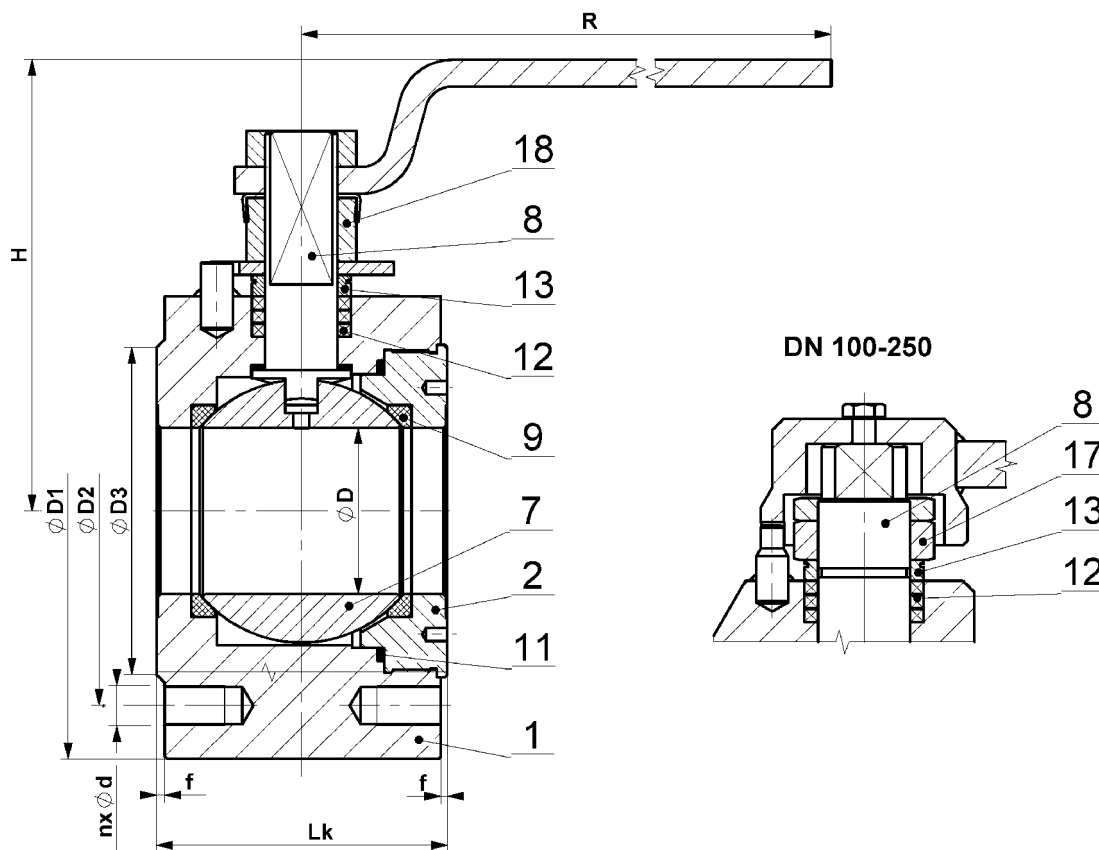


## WAFER-TYPE BALL VALVE WITH STUFFING BOX

### KM 9107.X-SB

DN 10–250 PN 16–160



### Materials

Type KM 9107.X-SB		Material			
		Carbon steel		Stainless steel	
Position	Component	X=1 For common temperatures from -20°C to +230°C	X=5 For low temperatures from -46°C to +230°C	X=3 For temperatures from -60°C to +230°C	X=4 For temperatures from -60°C to +230°C
1	Body	1.0577, S355J2	1.0565, A350 LF2	1.4541, A182 F321	1.4571, A182 F316
2	Cover				
7	Ball	1.4571, A182 F316, A351 CF8M, ČSN 17 027			
8	Stem	1.4021, ČSN 17 027	1.4541, A182 F321	1.4541, A182 F321	1.4571, A182 F316
9	Seat	PTFE+C, PEEK			
11	Gasket	Graphite			
12	Packing	Graphite			
13	Gland cover	1.4021, ČSN 17 027			
17	Screw plug	1.4021, ČSN 17 027			
18	Nut	Cl.8, A2-70, A194 Gr. 2H	A2-70, A194 Gr. 7	A2-70, A194 Gr. 8	A2-70, A194 Gr. 8

Other materials upon request (P265GH, 1.4306, 1.4462 etc.).

## Dimensions and weights

	DN	øD	øD1	øD2	øD3	f	n	ød	Lk	H	R	Hm / W
PN 16, 25, 40	10	9,5	90	60	40	2	4	M12				
	15	15	88	65	45	2	4	M12	40	107.5	150	1.7
	20	19	105	75	58	2	4	M12	45	91.5	120	2.5
	25	25	115	85	68	2	4	M12	55	126	250	4.1
	32	30	140	100	78	2	4	M16				
	40	38	150	110	88	2	4	M16	68	148.5	250	8.2
	50	47	165	125	102	2	4	M16	80	152	250	11.2
	65	62	185	145	122	2	8	M16	100	177	350	18.2
PN 16	100	95	220	180	158	2	8	M16				
	125	125	250	210	188	2	8	M16				
	150	150	285	240	212	2	8	M20				
	200*	200	340	295	268	2	12	M20	280	-	*	
	250**	250	405	355	320	2	12	M24		-	*	
PN 25 PN 40	100	98	235	190	162	2	8	M20				
	125*	125	270	220	188	2	8	M24				
	150*	150	300	250	218	2	8	M24		-	*	
PN 25	200**	200	360	310	278	2	12	M24		-	**	
	250**	250	425	370	335	2	12	M27		-	**	
PN 40	200**	200	375	320	285	2	12	M27		-	**	
	250**	250	450	385	345	2	12	M30		-	**	
PN 63, 100	15	15	105	75	45	2	4	M12				
	20	19	130	90	58	5	4	M16				
	25	25	140	100	68	2	4	M16	60	132	250	6.3
	32	30	155	110	78	2	4	M20				
	40	38	170	125	88	2	4	M20				
PN 63	50	47	180	135	102	2	4	M20				
	65	62	205	160	122	2	8	M20				
	80	76	215	170	138	2	8	M20				
	100	98	250	200	162	2	8	M24				
	125*	125	295	240	188	2	8	M27				
	150**	150	345	280	218	2	8	M30		-	**	
	200**	195	415	345	285	2	12	M33		-	**	
	250**	250	470	400	345	2	12	M33		-	**	
PN 100	50	47	195	145	102	2	4	M24				
	65	62	220	170	122	2	8	M24				
	80	76	230	180	138	2	8	M24				
	100*	98	265	210	162	2	8	M27				
	125**	119	315	250	188	2	8	M30			**	
	150**	142	355	290	218	2	12	M30			**	

\* = gearbox recommended, \*\* = with gearbox only. Dimensions in [mm], weights in [kg].  
Dimensions for PN 160 upon request.

## Application

Isolating valve designed to fully open or close the service fluid flow. It is not designed to be used for throttling or regulating purposes. For temperatures from -60 °C up to +230 °C.

Suitable for:

- water, steam, gas, oil, crude oil, acid, alkali and other liquids and gases without mechanical impurities.

Approved for:

- fluids in groups 1 (hazardous) and 2 according to 2014/68/EU.

## Characteristics

- floating ball,
- full bore,
- anti-static design,
- stem secured against release (anti-blow-out).

## Optional accessories, adjustments and services

- different face-to-face dimensions or end combinations,
- adaptation of face form (Groove, Tongue, Spigot, Recess, O-ring groove, RTJ),
- connection for actuator according to ISO 5211,
- fire-safe design – fire resistance in accordance with EN ISO 10497 (API 607),
- heating jacket – for keeping the fluid liquid,
- lockable handle with a padlock,
- extended stem – e.g. for the reason of insulation of the valve and pipeline,
- design according to TA-Luft or EN 15848-1,
- limit switches,
- documentation according to EN 10204 3.2,
- special adjustments according to customer requests,
- design according to standard NACE MR 0175 or ISO 15156,
- all seals from PTFE material.

## Type designation

KM 9107 . X – SB

Type of KE-ARM valve – straight ball valve
Control:
0 = lever
3 = gear box or adjustment for actuator

Type series – with stuffing box
Material – according to table
Connection to pipeline:
7 = wafer type

## Operation

- hand lever,
- hand wheel with worm gear,
- pneumatic actuator,
- electric actuator.

## Compliance with standards

- EN 1983,
- EN 12516-1,
- EN 1092-1,
- EN ISO 5211,
- EN 13463-1 (ATEX) – II 1 GD Ex IIC TX, I M1.

## Testing

- EN 12266-1, leakage rate A – zero leakage.