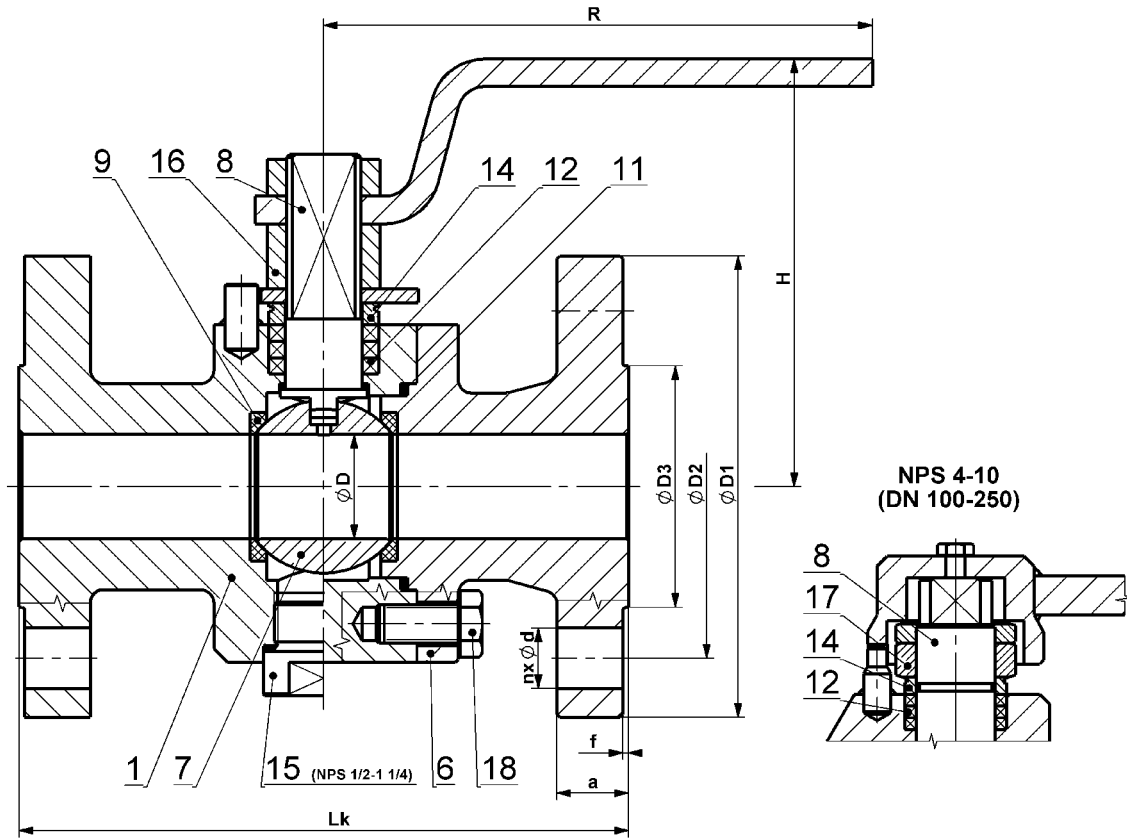


FLANGED BALL VALVE WITH STUFFING BOX KM 9108.X-SB-AF

NPS 1/2"–10" Class 150–1500



Materials

Type KM 9108.X-SB-AF		Material			
		Carbon steel		Stainless steel	
Position	Component	X=1 For common temperatures from -20°C to +230°C	X=5 For low temperatures from -46°C to +230°C	X=3 For temperatures from -60°C to +230°C	X=4 For temperatures from -60°C to +230°C
1	Body	1.0577, S355J2	1.0565, A350 LF2	1.4541, A182 F321	1.4571, A182 F316
6	Cover				
7	Ball	1.4571, A182 F316, A351 CF8M, ČSN 17 027			
8	Stem	1.4021, ČSN 17 027	1.4541, A182 F321	1.4541, A182 F321	1.4571, A182 F316
9	Seat	PTFE+C, PEEK			
11	Gasket	Graphite			
12	Packing	Graphite			
14	Gland cover	1.4021, ČSN 17 027			
15	Screw plug	1.0577, S355J2	1.0565, A350 LF2	1.4541, A182 F321	1.4571, A182 F316
16	Nut	Cl.8, A2-70, A194 Gr. 2H	A2-70, A194 Gr. 7	A2-70, A194 Gr. 8	A2-70, A194 Gr. 8
17	Nut	1.4021, ČSN 17 027			
18	Bolt	8.8, A2-70, A193 B7	A2-70, A320 L7	A2-70, A193 B8	A2-70, A193 B8

Other materials upon request (P265GH, 1.4306, 1.4462 etc.).

Dimensions and weights

	Class 150													
	NPS	DN	ØD	ØD1	ØD2	ØD3	f	a	n	Ød	Lk	H	R	Hm / W
	½"	15	11,5	89	60,3	35	1,6	12	4	16	108	87,5	120	2,5
	¾"	20	17,5	98	69,8	42,9	1,6	13	4	16	117	118,5	150	3,9
	1"	25	24	108	79,4	50,8	1,6	14,5	4	16	127	126	250	5,2
	1 ¼"	32	30,5	117	88,9	63,5	1,6	16	4	16	140			
	1 ½"	40	37	127	98,4	73	1,6	18	4	16	165	135	250	9,2
	2"	50	50	152	120,6	92	1,6	19	4	19	178	150,5	250	13,9
	2 ½"	65	62	178	139,7	104,6	1,6	22,5	4	19	190	179	350	24
	3"	80	75	190	152,4	127	1,6	24	4	19	203	180	350	26
	4"	100	100	229	190,5	157,2	1,6	24	8	19	229			
	5"	125	125	255	215,9	185,7	1,6	24,5	8	22,2	254			
	6"	150	150	279	241,3	215,9	1,6	26	8	22,2	394			
	8" *	200*	200	343	298,4	269,9	1,6	29	8	22,2	457	-	-	
	10" **	250**	250	405	362	323,8	1,6	31	12	25,4	533	-	-	

	Class 300													
	NPS	DN	ØD	ØD1	ØD2	ØD3	f	a	n	Ød	Lk	H	R	Hm / W
	½"	15	12,5	95	66,5	35	1,6	14,5	4	16	140	108,5	200	3,4
	¾"	20	17,5	117	82,6	42,9	1,6	16	4	19	152	115	150	5
	1"	25	24	124	88,9	50,8	1,6	17,5	4	19	165	124	250	6,9
	1 ¼"	32	30,5	133	98,6	63,5	1,6	19	4	19	178			
	1 ½"	40	37	155,5	114,3	73	1,6	20,5	4	22,2	190	143	250	13,4
	2"	50	50	165	127	92	1,6	22,5	8	19	216	165	350	19,7
	2 ½"	65	62	190,5	149,4	104,6	1,6	25,5	8	22,2	241	178	350	30
	3"	80	75	209	168,1	127	1,6	28,5	8	22,2	282	175	450	44
	4" *	100	100	254	200,2	157,2	1,6	32	8	22,2	305			
	5" *	125	125	280	235	185,7	1,6	35,5	8	22,2	381			
	6" *	150*	150	317,5	269,7	215,9	1,6	37	12	22,2	403			
	8" **	200**	200	381	330,2	269,9	1,6	41	12	25,4	419 ^{SP}	-	-	
	10" **	250**	250	444,5	387,4	323,8	1,6	48	16	28,5	457 ^{SP}	-	-	

	Class 600													
	NPS	DN	ØD	ØD1	ØD2	ØD3	f	a	n	Ød	Lk	H	R	Hm / W
	½"	15	12,5	95	66,5	35	6,4	21	4	16	165	108	200	3,8
	¾"	20	17,5	117	82,6	42,9	6,4	23	4	19	190	119	250	6,3
	1"	25	24	124	88,9	50,8	6,4	24	4	19	216	125	250	8,2
	1 ¼"	32	30,5	133	98,6	63,5	6,4	27	4	19	229			
	1 ½"	40	37	155,5	114,3	73	6,4	29	4	22,2	241			
	2"	50	50	165	127	92	6,4	32	8	19	292	173	350	25,5
	2 ½"	65	62	190,5	149,4	104,6	6,4	35	8	22,2	330			
	3" *	80	75	209	168,1	127	6,4	39	8	22,2	356			
	4" **	100*	100	273	216	157,2	6,4	45	8	25,5	432			
	5" **	125**	125	330	266,7	185,7	6,4	51	8	28,5	502	-	-	
	6" **	150**	150	355,6	292,1	215,9	6,4	54	12	28,5	559	-	-	
	8" **	200**	200	419,1	349,3	269,9	6,4	62	12	32	660,4	-	-	

* = gearbox recommended, ** = with gearbox only. Dimensions in [mm], weights in [kg]. ^{SP} = short pattern. Dimensions for Class 900, 1500 upon request.

Application

Isolating valve designed to fully open or close the service fluid flow. It is not designed to be used for throttling or regulating purposes. For temperatures from -60 °C to +230 °C.

Suitable for:

- water, steam, gas, oil, crude oil, acid, alkali and other liquids and gases without mechanical impurities.

Approved for:

- fluids in groups 1 (hazardous) and 2 according to 2014/68/EU.

Characteristics

- floating ball,
- full bore,
- anti-static design,
- fire-safe design,
- stem secured against release (anti-blow-out).

Optional accessories, adjustments and services

- different face-to-face dimensions or end combinations,
- adaptation of face form (Groove, Tongue, Spigot, Recess, O-ring groove, RTJ),
- connection for actuator according to ISO 5211,
- heating jacket – for keeping the fluid liquid,
- lockable handle with a padlock,
- extended stem – e.g. for the reason of insulation of the valve and pipeline,
- design according to TA-Luft or EN 15848-1,
- limit switches,
- documentation according to EN 10204 3.2,
- special adjustments according to customer requests,
- design according to standard NACE MR 0175 or ISO 15156,
- all seals from PTFE material.

Type designation

KM 9 1 0 8 . X - SB - AF

Type of KE-ARM valve – straight ball valve
Control:
0 = lever
3 = gear box or adjustment for actuator

According to API 608, full bore
Type series – with stuffing box
Material – according to table
Connection to pipeline:
8 = flanged

Operation

- hand lever,
- hand wheel with worm gear,
- pneumatic actuator,
- electric actuator.

Compliance with standards

- API 608,
- EN 12516-1,
- ANSI B 16.5,
- ANSI B 16.10 or not standardized,
- EN ISO 5211,
- EN ISO 10497 (API 607),
- EN 13463-1 (ATEX) – II 1 GD Ex IIC TX, I M1.

Testing

- API 598 or API Spec 6D – zero leakage.