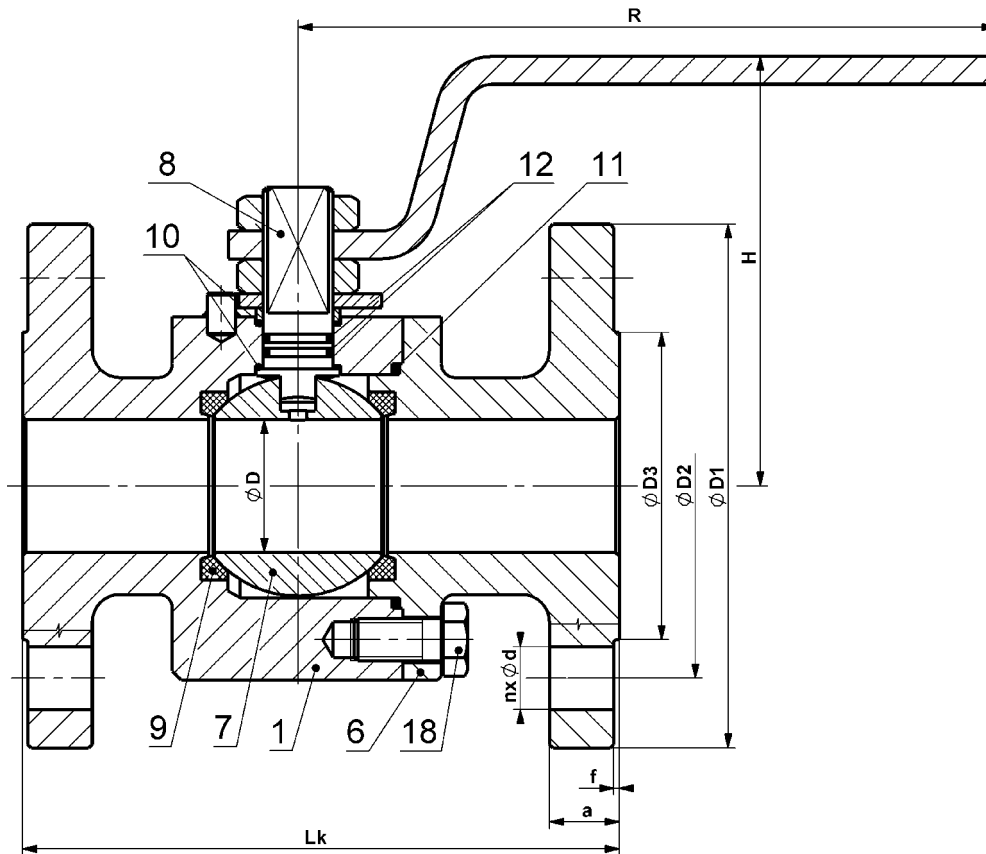


FLANGED BALL VALVE
KM 9108.X-AF
NPS ½" – 10" Class 150–1500



Materials

Type KM 9108.X-AF		Material			
		For low temperatures		Stainless steel	
Position	Component	X=1 For common temperatures from -20°C to +200°C	X=5 For low temperatures from -46°C to +200°C	X=3 For temperatures from -50°C to +200°C	X=4 For temperatures from -50°C to +200°C
1	Body	1.0577, S355J2	1.0565, A350 LF2	1.4541, A182 F321	1.4571, A182 F316
6	Cover				
7	Ball	1.4571, A182 F316, S355J2+Cr, A351 CF8M, ČSN 17 027			
8	Stem	1.4021, ČSN 17 027	1.4541, A182 F321	1.4541, A182 F321	1.4571, A182 F316
9	Seat	PTFE, PTFE+C, PEEK			
10	Gasket	Graphite			
11	Gasket	Graphite			
12	Sealing	NBR, HNBR, EPDM, FPM, FPM+FEP			
18	Bolt	8.8, A2-70, A193 B7	A2-70, A320 L7	A2-70, A193 B8	A2-70, A193 B8

Other materials upon request (P265GH, 1.4306, 1.4462 etc.).
Operating temperature range can be reduced based on selected sealing materials.

Dimensions and weights

	NPS	DN	øD	øD1	øD2	øD3	f	a	n	ød	Lk	H	R	Hm / W
Class 150	½"	15	11,5	89	60,3	35	1,6	12	4	16	108	93	100	2,5
	¾"	20	17,5	98	69,8	42,9	1,6	13	4	16	117	95	200	3,3
	1"	25	24	108	79,4	50,8	1,6	14,5	4	16	127	104,5	150	4,6
	1 ¼"	32	30,5	117	88,9	63,5	1,6	16	4	16	140	108	150	5,7
	1 ½"	40	37	127	98,4	73	1,6	18	4	16	165	123	250	9,4
	2"	50	50	152	120,6	92	1,6	19	4	19	178	135,5	250	13,9
	2 ½"	65	62	178	139,7	104,6	1,6	22,5	4	19	190	155,5	350	22,3
	3"	80	75	190	152,4	127	1,6	24	4	19	203	163	350	26
	4"	100	100	229	190,5	157,2	1,6	24	8	19	229	169	450	42
	5"	125	125	255	215,9	185,7	1,6	24,5	8	22,2	254			
	6"	150	150	279	241,3	215,9	1,6	26	8	22,2	394			
	8" *	200*	200	343	298,4	269,9	1,6	29	8	22,2	457	-	-	240
10" **	250**	250	405	362	323,8	1,6	31	12	25,4	533	-	-		
Class 300	½"	15	12,5	95	66,5	35	1,6	14,5	4	16	140	91	100	3,2
	¾"	20	17,5	117	82,6	42,9	1,6	16	4	19	152	95	200	4,7
	1"	25	24	124	88,9	50,8	1,6	17,5	4	19	165	106	150	5,7
	1 ¼"	32	30,5	133	98,6	63,5	1,6	19	4	19	178			
	1 ½"	40	37	155,5	114,3	73	1,6	20,5	4	22,2	190			
	2"	50	50	165	127	92	1,6	22,5	8	19	216	145	350	18
	2 ½"	65	62	190,5	149,4	104,6	1,6	25,5	8	22,2	241			
	3"	80	75	209	168,1	127	1,6	28,5	8	22,2	282	155,5	450	41
	4"	100	100	254	200,2	157,2	1,6	32	8	22,2	305	183	540	72
	5"	125	125	280	235	185,7	1,6	35,5	8	22,2	381			
	6" *	150*	150	317,5	269,7	215,9	1,6	37	12	22,2	403			
	8" **	200**	200	381	330,2	269,9	1,6	41	12	25,4	419 ^{SP}	-	-	
10" **	250**	250	444,5	387,4	323,8	1,6	48	16	28,5	457 ^{SP}	-	-		
Class 600	½"	15	12,5	95	66,5	35	6,4	21	4	16	165			
	¾"	20	17,5	117	82,6	42,9	6,4	23	4	19	190	98	200	5,8
	1"	25	24	124	88,9	50,8	6,4	24	4	19	216	108,5	150	7,8
	1 ¼"	32	30,5	133	98,6	63,5	6,4	27	4	19	229			
	1 ½"	40	37	155,5	114,3	73	6,4	29	4	22,2	241	136	350	16,5
	2"	50	50	165	127	92	6,4	32	8	19	292	146,5	350	24,5
	2 ½"	65	62	190,5	149,4	104,6	6,4	35	8	22,2	330	161	630	39
	3"	80	75	209	168,1	127	6,4	39	8	22,2	356	175	500	58
	4" *	100*	100	273	216	157,2	6,4	45	8	25,5	432			
	5" **	125**	125	330	266,7	185,7	6,4	51	8	28,5	502	-	-	
6" **	150**	150	355,6	292,1	215,9	6,4	54	12	28,5	559	-	-		
8" **	200**	200	419,1	349,3	269,9	6,4	62	12	32	660	-	-		

* = gearbox recommended, ** = with gearbox only. Dimensions in [mm], weights in [kg]., SP = short pattern.
Dimensions for PN 160, 250 upon request.

Application

Isolating valve designed to fully open or close the service fluid flow. It is not designed to be used for throttling or regulating purposes. For temperatures from -50 °C to +200 °C.

Suitable for:

- water, steam, gas, oil, crude oil, acid, alkali and other liquids and gases without mechanical impurities.

Approved for:

- fluids in groups 1 (hazardous) and 2 according to 2014/68/EU.

Characteristics

- floating ball,
- full bore,
- anti-static design,
- fire-safe design (fire resistance),
- stem secured against release (anti-blow-out).

Operation

- hand lever,
- hand wheel with worm gear,
- pneumatic actuator,
- electric actuator.

Compliance with standards

- API 608,
- EN 12516-1,
- ANSI B 16.5,
- ANSI B 16.10 or not standardized,
- EN ISO 5211,
- EN 13463-1 (ATEX) – II 1 GD Ex IIC TX, I M1,
- EN ISO 10497 (API 607),
- EN 61508-1, 2 – SIL 2.

Testing

- API 598 or API Spec 6D – zero leakage.

Optional accessories, adjustments and services

- different face-to-face dimensions or end combinations,
- adaptation of sealing face (Groove, Tongue, Spigot, Recess, O-ring groove, RTJ),
- connection for actuator according to ISO 5211,
- heating jacket – for keeping the fluid liquid,
- lockable handle with a padlock,
- extended stem – e.g. for the reason of insulation of the valve and pipeline,
- design according to TA-Luft or EN 15848-1,
- limit switches,
- documentation according to EN 10204 3.2,
- special adjustments according to customer requests,
- design according to standard NACE MR 0175 or ISO 15156.

Type designation

